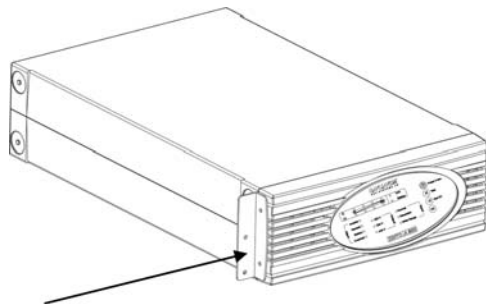


# ZINTO A 800 / 1000: Rack Installation

Step

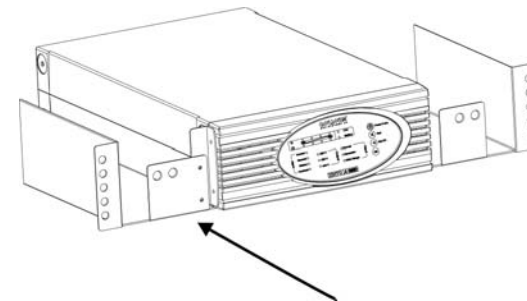
**1**



Mount the UPS fixing bracket

Step

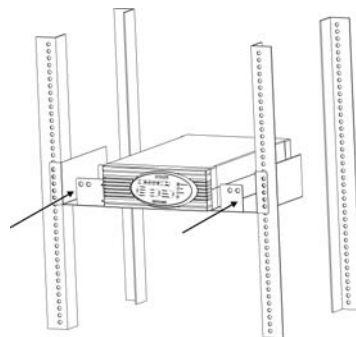
**2**



Fix the UPS to the mounting plate

Step

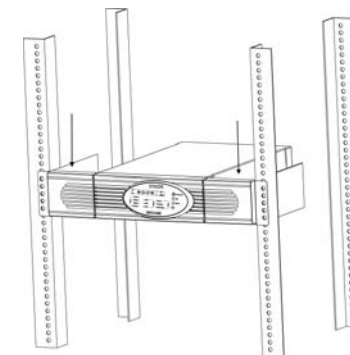
**3**



Position and fix  
the complete  
system in the rack

Step

**4**



Assemble  
the cover